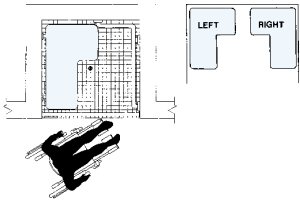


Shower Seats

4.21.3 Seat. A seat shall be provided in shower stalls and be mounted 17" to 19" (430 mm to 485-mm) from the bathroom floor. The clearance between wall and seat in the down position should be no greater than 1½" (38 mm). The structural strength of seats and their attachments shall comply with 4.26.3.



U937: Surface Mounted Retractable Shower Seat.
Overall Size: 32"W x 20 ¼"D
 "Specify LH or RH configuration when ordering."

U939: Surface Mounted Retractable Shower Seat.
Overall Size: 22"W x 14"D
 (Not shown)

U937 & U939 Retractable Shower Seats: The seating area of the shower seats are fabricated of a material that is non-absorbent of moisture/mildew and odor resistant when properly maintained. This will eliminate the problem of rust or discoloration that attacks other types of materials.

Seating Area: Seat is fabricated ¾" thick, one-piece high density white polymer. The seat will not support the growth of microorganisms, odors, mildew, fungi, or other disease causing bacteria when properly maintained. This seat is fabricated without any chemical irritants to human skin. Seat is chemically resistant, water impermeable, impact resistant and virtually resistant to graffiti.

Seat is secured to framing with ⅜" countersunk stainless steel tamper resistant rivets for maximum safety. There are no exposed fasteners on the underside of the seat, which could cause injury when not in use in the up-right position. All leading edges are rounded to eliminate the possibility of injury.

Frame: Entire frame is fabricated of type 304 #18 gauge stainless steel with a #4 satin finish. (Main frame 1¼" square tube)

Mounting Bracket: Type 304 #18 gauge stainless steel tube with #11 gauge stainless steel plates. Brackets are mounted where floor and wall meet to support maximum load. Straps can be mounted on the wall or floor depending on mounting location requirements.

Adjustable Mounting Height: Per ADA code, seating area of shower seats must be mounted at a height between 17"-19" above the finished floor. The vertical support legs allow the flexibility to mount the seat at the height per ADA/ state or local guidelines.

Mounting Recommendations: It is recommended to use in-wall-backing to provide maximum strength.



U933-1-R

U933-1-Surface Mounted Retractable Shower Seat. Seat frame and supports are fabricated of 1¼" O.D. #18 gauge stainless steel tubing with a #4 satin finish. Seat cushion is constructed of 2½" thick foam rubber and covered in white naugahyde.
Overall Size: 32"W x 20"D
 Specify right (R) or left (L) hand seat.



U934-1

U934-1-Surface Mounted Retractable Shower Seat. Seat is fabricated of 2½" thick foam rubber cushion covered in white naugahyde. Entire frame is fabricated of type 304 #18 gauge stainless steel with a #4 satin finish. Uni-leg design allows easy transfer from wheel chair to seat from any direction.
Overall Size: 18½"W x 15"D

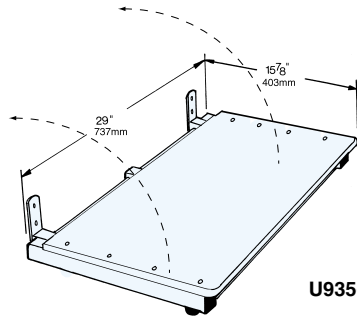


Designer Note: The U937 is available in left hand or right hand configuration. The seat is not reversible due to the design of the frame that provides maximum support and safety to extended portion of seating area.

***NOTE:** All shower seats are manufactured to support up to 250 pounds when properly installed. Whenever it is possible, it is recommended that in wall backing be used for mounting. Check all local codes for mounting locations before installation.(4.26.3)

Tub Seats

Tub Seats: Tub seats shall be mounted to wall surface securely and shall not slip during use. (4.20.3, 4.26.3) (Recommend in wall mounting).



U935-1

U935-1 Surface Mounted Retractable Tub Seat. Seat is fabricated of solid one piece white high density polymers that is warp & water resistant. #18 gauge stainless steel tubing, type 304, 1¼" square tubing makes up the main frame of the seat. Anti-slip devices prevent seat from sliding on tub rim when in use. When not in use seat can be retracted to the up-right position against side wall.

Overall Size: 29"W x 15 7/8"D
Seating Area: 29"W x 13 3/8"D

U936-1 Same as U935-1 only back wall mounted in lieu of side wall.

***See U937 seat specifications for more details on material.**



**U.S. Department of Justice
 American with Disabilities Act**



Shower Seats: Seating area of shower seat should be at a height of between 17"-19" off finished floor. (4.21.3)

Turn to page 26 for a washroom accessories listing of ADA Code compliance or go to www.ajwashroom.com/professional to link with the Federal Register ADA Guidelines.