

SPECIFICATIONS:

Motor: Brushless 3450 RPM, 1/8 HP motor. Protected by a special safety circuit breaker to eliminate over heating and burnouts. Motor is secured to base with special non-vibrating shock mounts.

Fan: Statically balanced to eliminate vibration and noise, directing air flow through heating element. Ambient temp. at nozzle is 70° F (21 °C)

Heating Element: 2300 watt nichrome coil, wound element on a state-of-the-art convective heating injection system that efficiently delivers warm air for drying.

Timer: Non-mechanical fully enclosed electronic timer with adjustable time cycle range. (30-50 seconds) Timer is adjusted to desired time during installation or can be changed any time after.

Electronic Sensor: Sensor activates dryer when sensor beam is broken and will continue to run until cycle is completed. Sensor is equipped with adjustable depth of field.

Cover: Fabricated of heavy duty die cast aluminum housing with baked white enamel finish. *(Check color chart for optional colors available for U1525, U1525EA Series)

U1521 – Fabricated of #18 gauge stainless steel with a #4 satin finish

Nozzle: Fabricated of die cast zinc alloy, chrome finish, with two positions. Standard dryer comes with fixed nozzle.

Base: One piece #14 gauge galvanized steel with 3/4" returns to wall surface for maximum strength and rigidity.



U1525

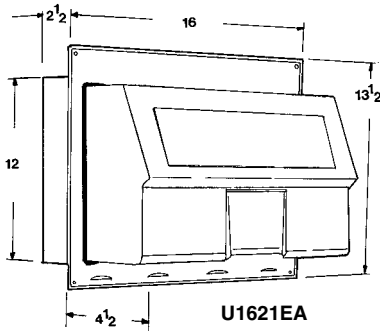


U1625 SEMI-RECESSED

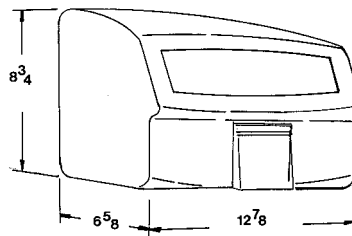
All Jetair™ dryers are manufactured for years of reliable trouble free operation without the need of replacing brushes



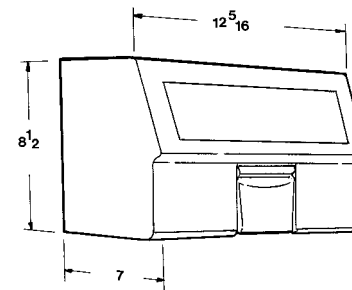
U1521EA SURFACE MOUNTED



U1621EA



U1525EA



U1521EA



U1525EA-CHR SURFACE MOUNTED

Semi Recessing Kit: Heavy gauge steel recessing box that surface mounted style dryer base secures to. Face plate is fabricated of #8B polished stainless steel with louvers to provide air flow to dryer.

MODEL	TYPE MOUNTING	NOZZLE	DRYING CYCLE	WATTS	LINE AMPS			RPM	HZ	TEMP OUTPUT
					110/120	208/230	CFM			
U1521	SURFACE	2 POS	30-50	2300	18	9	120	3450	60	130-140
U1521EA	SURFACE	2 POS	AUTO	2300	18	9	120	3450	60	130-140
U1525	SURFACE	2 POS	30-50	2300	20	10	130	3450	60	130-140
U1525EA	SURFACE	2 POS	AUTO	2300	20	10	130	3450	60	130-140
U1621	SEMI-REC	2 POS	30-50	2300	18	9	120	3450	60	130-140
U1621EA	SEMI-REC	2 POS	AUTO	2300	18	9	120	3450	60	130-140
U1625	SEMI-REC	2 POS	30-50	2300	20	10	130	3450	60	130-140
U1625EA	SEMI-REC	2 POS	AUTO	2300	20	10	130	3450	60	130-140

*Semi-Recessing Kit – Converts surface mounted dryer to semi-recessed. (Recessing box and face plate)

U021 – Converts U1521/U1521EA surface mounted to semi-recessed.

U020 – Converts U1525/U1525EA surface mounted to semi-recessed.

Available Colors:

- 20 Beige
- 21 Red
- 22 Black
- 23 Almond
- 24 Grey
- CHR Chrome



20



21



22



23



24

All JETAIR™ Dryers are designed and manufactured for years of trouble free operation. All parts on the Hand-Hair Dryers are covered under warranty against defective materials and/or workmanship, pro rated for a period of five years.