



**Jetair™ Automatic dryers are ideal where sanitary conditions are essential.**



U1623EA

**Semi-Recessed Conversion Kit**



U1523

**Surface Mounted Dryer**

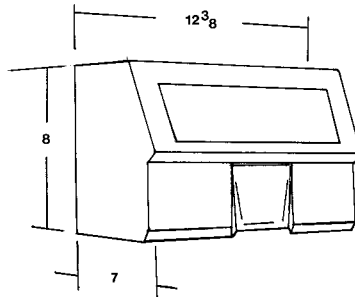
**Hand Dryers Location Guide:**

It is recommended when mounting hand dryers in high traffic areas (airports, sports arenas, etc...) to place dryers in such a way to create a flow from basin to dryer to exit. This will prevent congestion in the washroom. Dryers should be at least 2'-0" apart and a minimum of 12" from the basins. Dryers should not be mounted directly over basins.

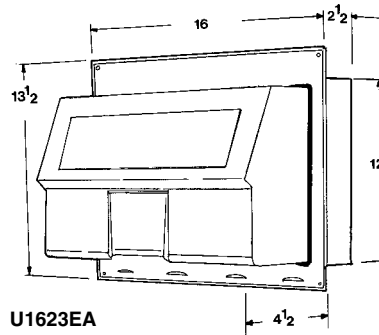
Mounting	Hands	Hair
Men	46" (1168mm)	73" (1854mm)
Women	44" (1118mm)	68" (1727mm)
Physically Impaired	38" (965mm)	46" (1168mm)
Children 6-10	34" (864mm)	43" (1092mm)
Children 11-14	42" (1067mm)	56" (1422mm)

**Hand Dryers Quantity Guide:**

**High Traffic:** 1 Dryer per basin.  
**Average Traffic:** 1 dryer per every 2 basins.  
**Small Applications:** 1 dryer for every 3 basins.  
**Circular Wash Fountains:** 4-5 Dryers per fountain.



U1523EA



U1623EA

**Semi Recessing Kit:**

Heavy gauge steel recessing box that surface mounted style dryer base secures to. Face plate is fabricated of #8B polished stainless steel with louvers to provide air flow to dryer.

**4.27.4 Operation.** Controls and operating mechanisms shall be operable with one hand and shall not require tight grasping, pinching, or twisting of the wrist. The force required to activate controls shall be no greater than 5 lbf (22.2 N).

**U1523/U1523EA Series SPECIFICATIONS:**

**Motor:** High performance commercial brushless 3450 RPM, 1/8 HP motor. Protected by a special safety circuit breaker to eliminate over heating and burnouts. Motor is secured to base with special non-vibrating shock mounts.

**Fan:** Fully balanced to eliminate vibration and noise, directing air flow through heating element. Ambient temp. at nozzle is 70° F (21 °C)

**Heating Element:** 2300 watt nichrome coil, wound element on a state-of-the-art convective heating injection system that efficiently delivers warm air for drying.

**Timer:** Non-mechanical fully enclosed electronic timer with adjustable time cycle range from 1-75 seconds. Timer is adjusted to desired time when installed or changed any time after.

**Electronic Sensor:** Dryer is activated when sensor beam is broken and will continue to run until cycle has been completed. Sensor is equipped with an adjustable depth of field range 2" - 10". This can be changed at any time for different applications in the field.

**Cover:** Fabricated of type 304 #18 gauge stainless steel with a #4 satin finish, spot welded to form a one piece **Uni-Body™** construction for maximum strength and durability.

**Nozzle:** Fabricated of type 304 #18 gauge stainless steel, welded to cover for one position drying.

**Base:** One piece #16 gauge stainless steel with 3/4" returns to wall for maximum strength and rigidity.

**Features to look for in hand/hair dryers:**

- **Brushless Motors**
- **Adjustable Timers**
- **Adjustable depth of field sensors**
- **Low RPM's required to meet the industry standard ambient temp.**

MODEL	TIME MOUNTING	NOZZLE	DRYING CYCLE	WATTS	LINE AMPS		CFM	RPM	HZ	TEMP OUTPUT
					110/120	208/230				
U1523	SURFACE	FIXED	1-75	2300	20	10	130	3450	60	130-140
U1523EA	SURFACE	FIXED	AUTO	2300	20	10	130	3450	60	130-140
U1623	SEMI-REC	FIXED	1-75	2300	20	10	130	3450	60	130-140
U1623EA	SEMI-REC	FIXED	AUTO	2300	20	10	130	3450	60	130-140

\*208-230V DRYERS ARE 50/60 CYCLE

\*Semi-Recessing Kit: U019 – Converts surface mounted dryer to semi-recessed.

**All JETAIR™ Dryers are designed and manufactured for years of trouble free operation. All parts on the Hand-Hair Dryers are covered under warranty against defective materials and/or workmanship, pro rated for a period of five years.**